

A17238-JS

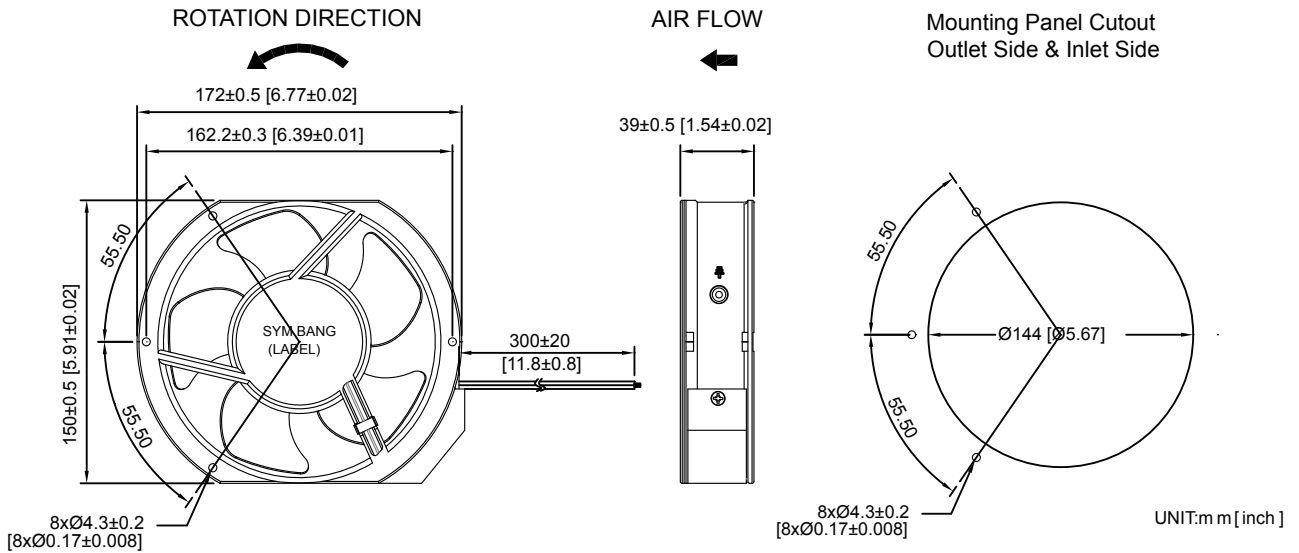


172x151x38mm
(6.8"x5.9"x1.5")



HOUSING	Aluminum Die Casting, Painted Black
IMPELLER	Thermoplastic PBT, UL94V-0
BEARING	Ball
MOTOR TYPE	AC Induction Capacitor Motor
TERMINATION	Terminal or Lead Wires
OPERATING VOLTAGE RANGE	103VAC to 126VAC for 115V Type 207VAC to 253VAC for 230V Type
DIELECTRIC STRENGTH	1,500VAC for 1 min.
INSULATION	Class A
INSULATION RESISTANCE	100M Ohms Min. @500 VDC
OPERATING TEMPERATURE	-20°C to + 80°C
SAFETY	Thermally Protected
WEIGHT	800g
ROHS COMPLIANCE	Yes

DIMENSION



SPECIFICATION

MODEL NO.	RATED VOLTAGE (V)	FREQUENCY (Hz)	RATED CURRENT (A)	INPUT POWER (W)	SPEED (RPM)	MAX. AIR PRESSURE		MAX. AIR FLOW		NOISE dB(A) @1M
						inchH ₂ O	mmH ₂ O	CFM	m ³ /min	
A17238V1H-JS	115	50/60	0.23/0.22	25/24	2700/3200	0.47/0.57	12/14.5	190/220	5.37/6.22	52/57
A17238V2H-JS	230	50/60	0.11/0.11	25/24	2700/3200	0.47/0.57	12/14.5	190/220	5.37/6.22	52/57

AIR PERFORMANCE

