

# A17051M-DA



Ø172x51mm(Ø6.8"x2")



HOUSING  
IMPELLER  
BEARING  
MOTOR TYPE  
TERMINATION  
OPERATING VOLTAGE RANGE

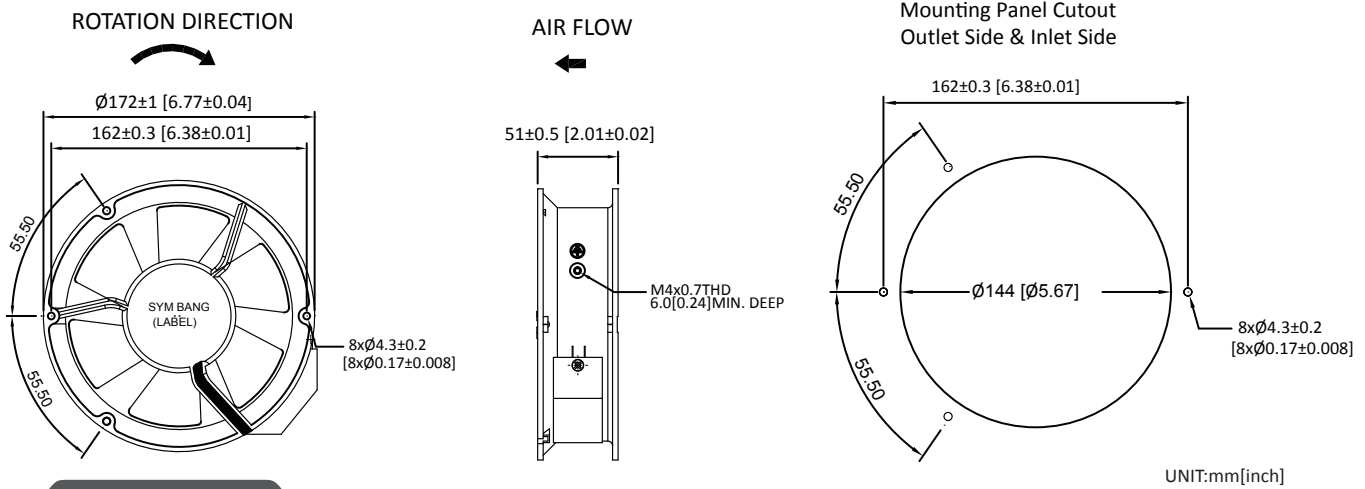
DIELECTRIC STRENGTH  
INSULATION  
INSULATION RESISTANCE  
OPERATING TEMPERATURE  
SAFETY  
WEIGHT  
ROHS COMPLIANCE  
IP LEVEL

Aluminum Die Casting, Painted Black  
Metal  
Ball  
AC Induction Capacitor Motor  
Terminals and Lead Wire  
85VAC to 125VAC for 115V Type  
185VAC to 245VAC for 230V Type  
1,800VAC for 1 minute  
Class A  
10M Ohms Min. @500 VDC  
-30°C to + 85°C  
Thermally Protected  
1080g  
Yes  
IP54 (Special IP Rating On Request)

# 172mm

172mm

## DIMENSION



## SPECIFICATION

MODEL NO.	RATED VOLTAGE (V)	FREQUENCY (Hz)	RATED CURRENT (A)	INPUT POWER (W)	SPEED (RPM)	MAX. AIR PRESSURE		MAX. AIR FLOW		NOISE dB(A) @1M
						inchH <sub>2</sub> O	mmH <sub>2</sub> O	CFM	m <sup>3</sup> /min	
A17051V1SLBM-DA	115	50/60	0.27/0.23	26/26	2800/3300	0.65/0.79	16.5/20.0	230/270	6.23/7.36	55/61
A17051V1HBM-DA	115	50/60	0.25/0.21	27/25	2700/3100	0.55/0.61	14.0/15.5	210/250	5.94/7.08	53/59
A17051V1MBM-DA	115	50/60	0.12/0.15	14/17	2400/2350	0.26/0.20	6.6/5.2	174/174	4.92/4.92	51/51
A17051V1LBM-DA	115	50/60	0.07/0.07	8/9	1800/1700	0.13/0.11	3.3/2.9	135/123	3.82/3.48	47/45
A17051V2SLBM-DA	230	50/60	0.10/0.11	23/26	2800/3300	0.65/0.79	16.5/20.0	230/270	6.23/7.36	55/61
A17051V2HBM-DA	230	50/60	0.11/0.12	26/27	2700/3100	0.55/0.61	14.0/15.5	210/250	5.94/6.79	53/59
A17051V2MBM-DA	230	50/60	0.07/0.10	16/19	2400/2350	0.26/0.20	6.6/5.2	174/174	4.92/4.92	51/51
A17051V2LBM-DA	230	50/60	0.04/0.05	10/11	1850/1700	0.13/0.11	3.4/2.9	135/123	3.82/3.48	47/45
A17051V280HBM-DA	280	50/60	0.11/0.11	27/26	2600/3000	0.66/0.78	12.0/11.0	200/230	5.66/6.51	52/58
A17051V380HBM-DA	380	50/60	0.06/0.06	22/23	2600/3000	0.55/0.61	12.0/11.0	200/230	5.66/6.51	52/58
A17051V440HBM-DA	440	50/60	0.08/0.07	29/27	2700/3100	0.66/0.78	13.5/14.5	210/240	5.94/6.79	53/59
A17051V480HBM-DA	480	50/60	0.07/0.07	33/31	2600/3000	0.55/0.61	12.0/11.0	210/240	5.94/6.79	53/59

## AIR PERFORMANCE

